

**DONGYAN SANITARY
VALVE FITTINGS**

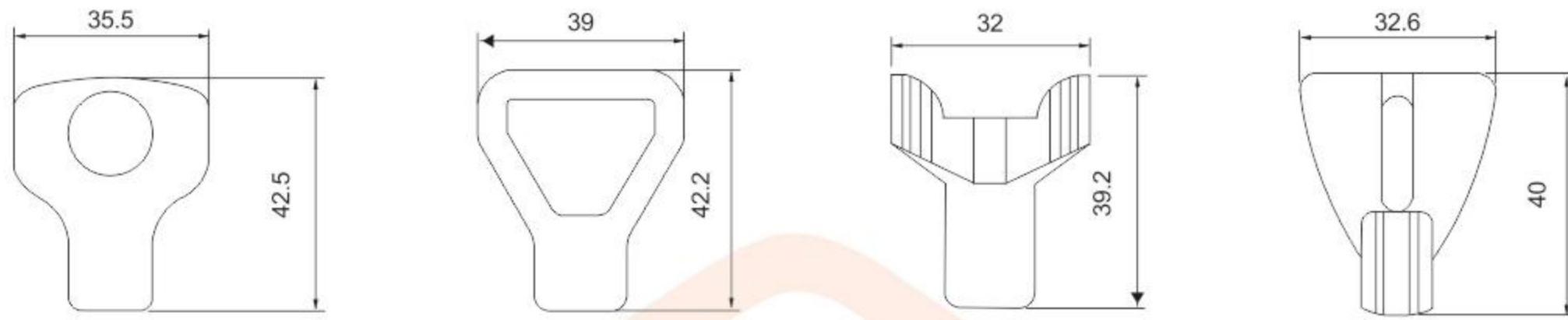
07

**SANITARY GRADE CLAMPS AND
PIPE SUPPORT SERIES**

卫生级卡箍及管支架系列

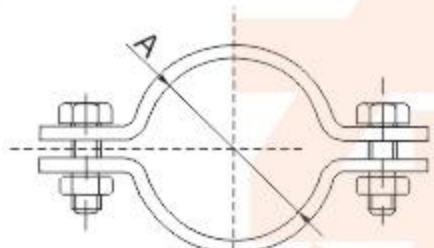


卡箍螺母 Clamp nut



管支架 Pipe holder

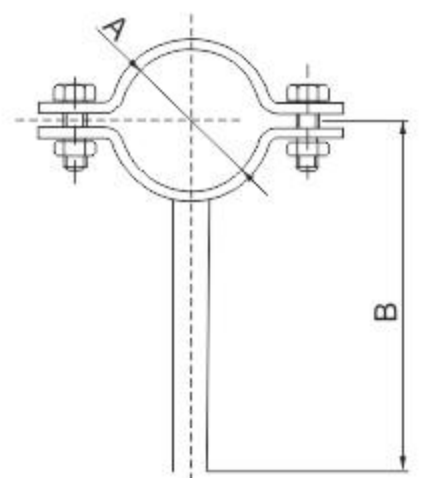
3A No.QL-001



SIZE	A
DN10	12
DN15	18
DN20	22
DN25	28
DN32	34
DN40	40
DN50	52
DN65	70
DN80	85
DN100	104
DN125	129
DN150	154
DN200	204

长枝干管夹 Long branch pipe holder

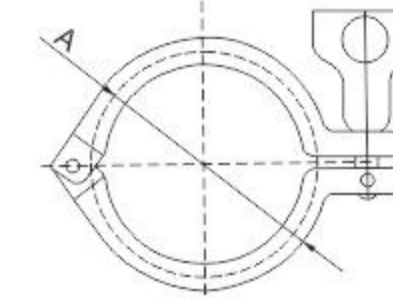
3A No.QL-002



SIZE	A	B
DN10	12	64
DN15	18	67
DN20	22	69
DN25	28	72
DN32	34	75
DN40	40	78
DN50	52	84
DN65	70	93
DN80	85	100.5
DN100	104	110
DN125	129	140
DN150	154	180
DN200	204	241

MHH 重型卡箍 MHH heavy duty clamp

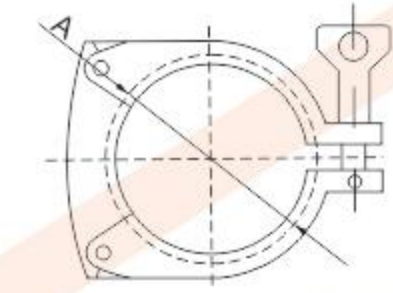
DIN/3A/ISO No.QL-003



SIZE	A
0.5"	28.6
0.75"	28.6
1"	53.9
1.5"	53.9
2"	67.4
2.5"	80.9
3"	94.4
4"	122.4
6"	170.4
8"	221.2
10"	272

MHH3 三片式卡箍 MHH3 three-piece clamp

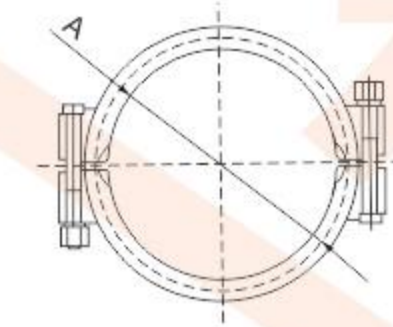
DIN/3A/ISO No.QL-004



SIZE	A
1"	53.9
1.5"	53.9
2"	67.4
2.5"	80.9
3"	94.4
4"	122.4

MHP 高压式卡箍 MHP high voltage clamp

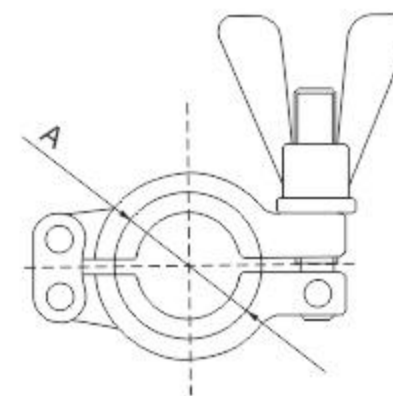
DIN/3A/ISO No.QL-005



SIZE	A
0.5"	28.6
0.75"	28.6
1"	52
1.5"	52
2"	65.5
2.5"	79
3"	92.5
4"	120
6"	170.4

TC 卡箍 TC clamp

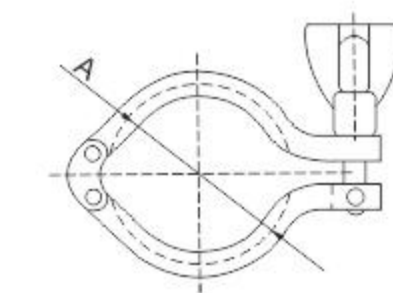
DIN/3A/ISO No.QL-006



SIZE	A
0.5"	28
0.75"	28
1"	53.9
1.5"	53.9
2"	67.4
2.5"	80.9
3"	94.4
4"	122

TC 卡箍 TC clamp

DIN/3A/ISO No.QL-007



SIZE	A
1"	53.9
1.5"	53.9
2"	67.4
2.5"	80.9
3"	94.4
4"	122.4